



ILE CLUB | OUTDOOR

design Piero Lissoni

Sofas and modular elements of different dimensions, available for indoor and outdoor use.

Outdoor version: armrests and backrest frame in multilayer panel for outdoor use. Seat frame in lacquered Stainless Steel AISI 316 with suspension guaranteed by polypropylene slats with fiberglass core (GOODSIDE®). Padding of the structure and seat cushion in open cell polyurethane foam, covered with drainage fabric.

Base in tubular square Stainless Steel AISI 316 with matt satin finish or Stainless Steel AISI 316 with gunmetal or burnished coating.

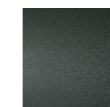
Upholstery with outdoor fabrics, fully removable by zippers and Velcro fastenings.

Seat depth 66 cm.

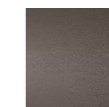
Structure



Stainless Steel
with Matt
Satin Finish



Gunmetal Grey
Lacquering



Burnished
Painting

Notes

On request, with no price increase, quilted seat cushion available: removable only with fabric upholstery. Please specify on the order the required version.

For the OUTDOOR version, especially after rain or during period of high humidity, it is recommended to periodically separate the different elements and / or to temporarily lift the seat / backrest / armrest cushions to allow a complete drying of the same and to avoid the accumulation of dirt and humidity that might cause mildew. A protective cover is also recommended to preserve the product in summer and winter, to be used only on the completely dry product.

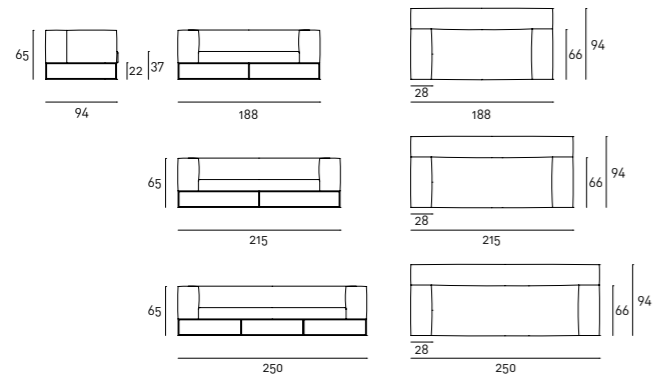
This cover is water vapour repellent and prevents mould and corrosion. It can be washed with water and soap. On request, available also in one-piece, tailor made for specific composition, to be confirmed on the order. Do not keep the fabric folded for a long time when it is wet.

To ensure durability over time, it is advisable to place the product on terraces or verandas.

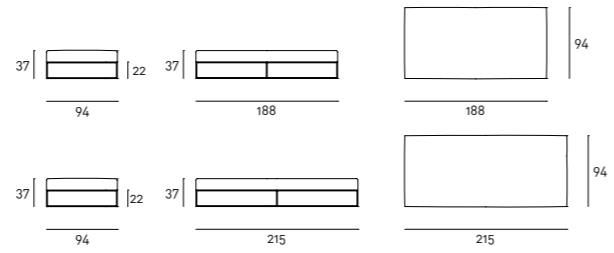
For composition with different elements, please attach a general sketch to the order.

Technical Drawings

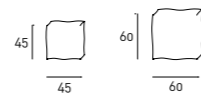
Sofa



Bench



Loose cushions



Terminal element

